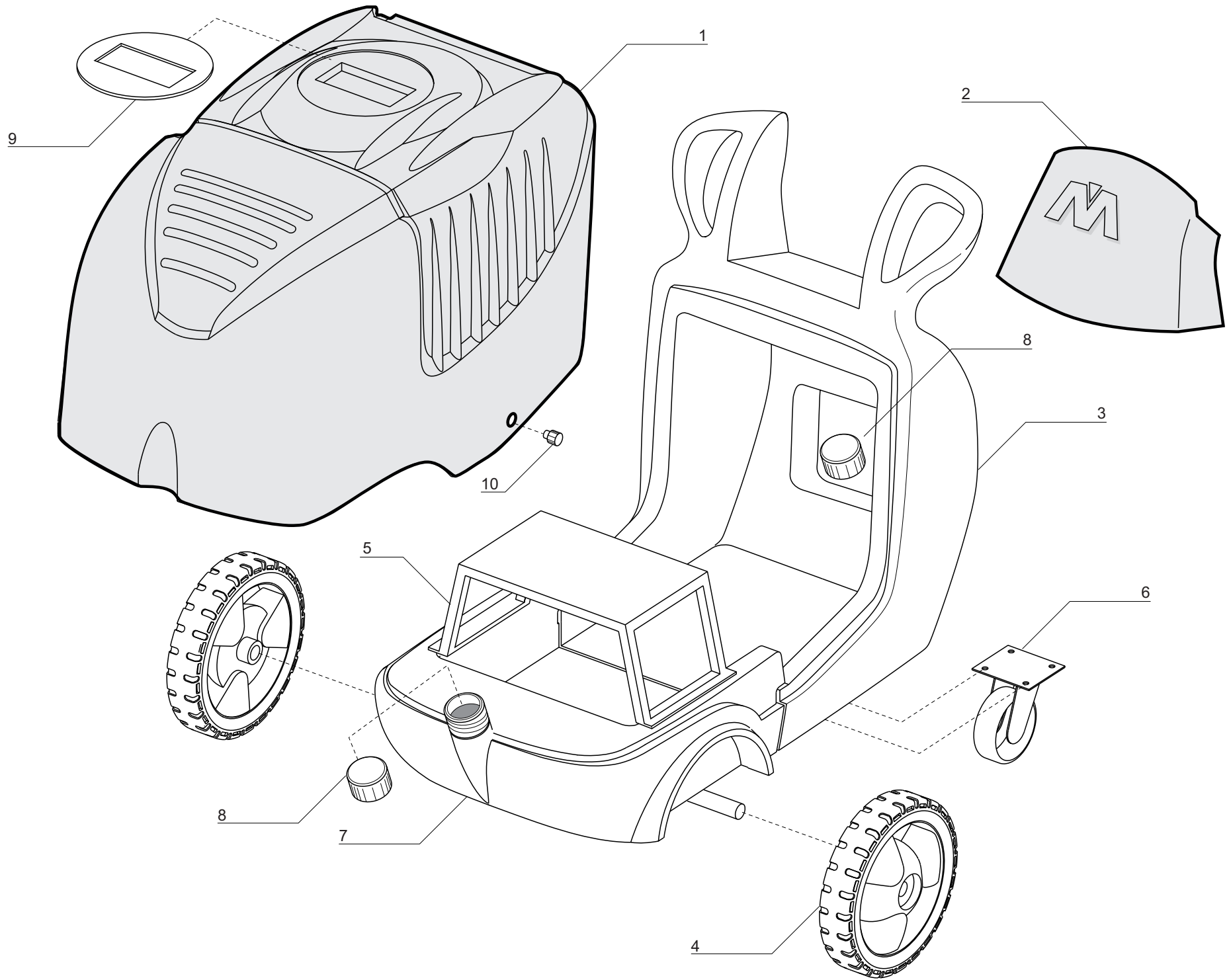


MAER

COMPACT

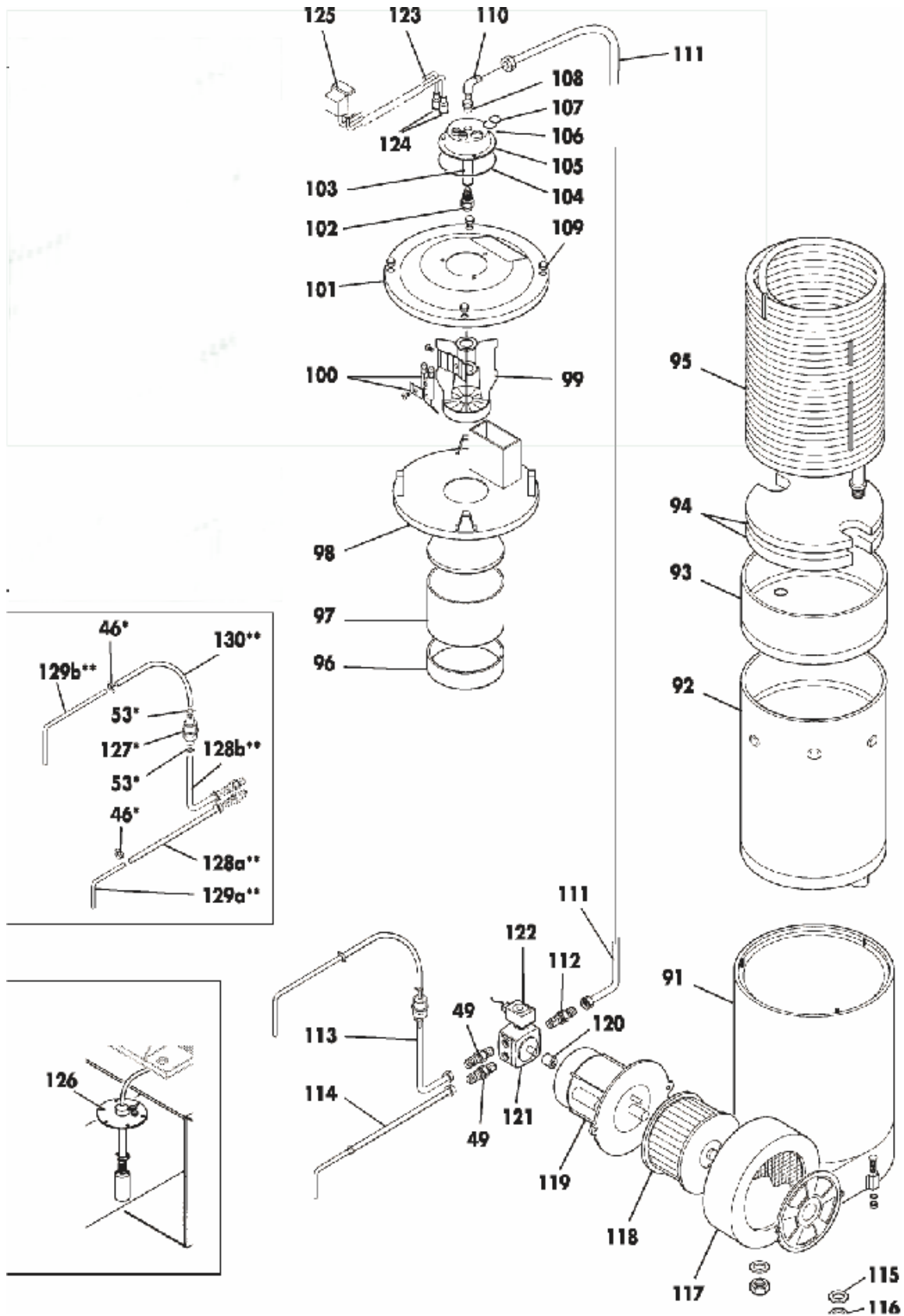


SPA REPARTS CATALOGUE
CATALOGUE DES PIECES DETACHEES
CATALOGO PIEZAS DE REPUESTO
CATALOGO PARTI DI RICAMBIO



Pos.	Cod.	q.ty	Description
1	10.000.257 10.000.258 10.000.259	1	Cover Capot Capota Cofano Silver/ Gris/Gris/Grigio Red/Rouge/Rojo/Rosso Blue/Azur/Azul/Azzurro
2	10.000.260 10.000.265 10.000.264	1	Electric components box Boite electrique Caja electrica Scatola impianto elettrico Silver/ Gris/Gris/Grigio Red/Rouge/Rojo/Rosso Blue/Azur/Azul/Azzurro
3	10.000.255	1	Fuel tank Réservoir gas oil Deposito gasolio Serbatoio gasolio
4	10.000.437	2	Wheel Roue Rueda Ruota
5	10.000.245	1	Motor support plate Support moteur Soporte motor Piastra supporto motore
6	10.000.051	1	Rotating wheel Roue Tournant Rueda rotatoria Ruota pivottante
7	10.000.256	1	Chemical tank Réservoir détergent Deposito detergente Serbatoio detergente
8	10.000.012	2	Tank cap Bouchon réservoir Tapon deposito Rappo serbatoio
9	10.000.262	1	S.S. cover protection plate Plaque protection capot INOX Lastra inox protection motor Piastra inox protezione motore
10	20.000.042	2	Screw Vis Tornilli Nottolino

CALDAIA / BOILER / CHAUDIERE

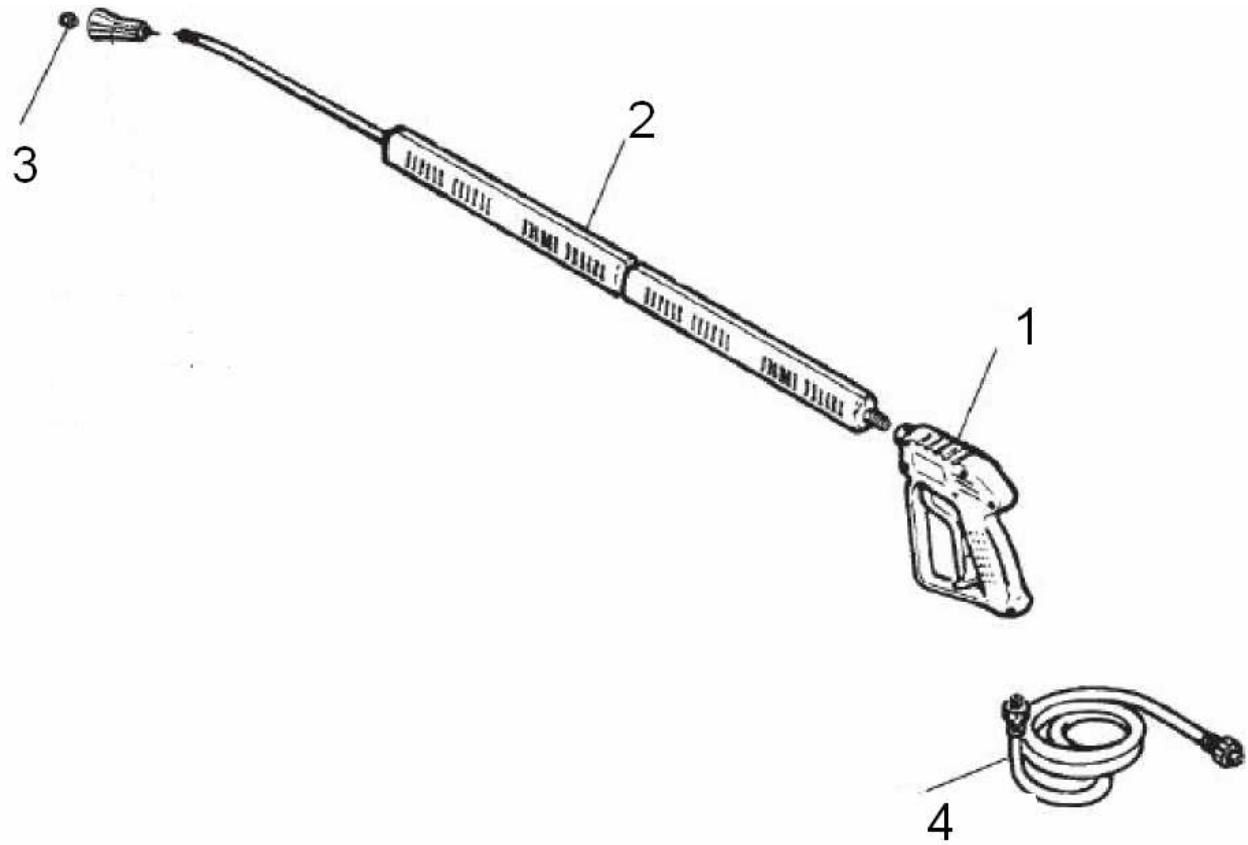


Pos.	Cod.	Q.ty	Descr.		
46	90.000.011	2	Clamp Pince Muelle serre cable Molletta stringitubo	*	
49	20.000.014	2	Nipple Nipple Niplo Nipplo		
53	90.000.007	2	Clip Serre cable Faja serra cable Molletta stringitubo	*	
91	50.000.034	1	Boiler body Corp chaudière Cuerpo caldera Corpo caldaia		
92	50.000.037	1	Boiler liner Chemise de la chaudière Camisa caldera Camicia interna		
93	50.000.004	1	Boiler bottom Fond Hondo Fondello		
94	50.000.005	2	Refractory disk Disque réfractaire Disco refractario Fondo refrattario		
95	50.000.040	1	Coil Serpentine Serpentin Serpentina		
96	50.000.007	1	Ring Anneau Anillo Anello		
97	50.000.008	1	Band Bande Faja Fascia		
98	50.000.009	1	Lower head Tête inferieure Cabeza inferiór Testata inferiore		
99	50.000.010	1	Deflector Deflecteur Deflector Deflettore		
100	50.000.011	1	Double electrode Électrode double Eléctrodo doble Elettrodo doppio		

Pos.	Cod.	Q.ty	Descr.
101	50.000.012	1	Upper head Tete superieure Cabeza superiór Testata superiore
102	50.000.013	1	Gasoil nozzle Gicleur Boquilla del gas oil Ugello gasolio
103	50.000.014	1	Gas oil nozzle holder Porte gicleur Porta boquilla Porta ugello
104	50.000.015	1	Gasket Joint d'étanchéité Guarnición Guarnizione
105	50.000.016	1	Cover Couvercle Tapa Coperchio in alluminio
106	50.000.017	1	Flame window Verre de controle Mirilla Vetrino controllo fiamma
107	50.000.018	1	Seeger Seeger Seeger Seeger
108	20.000.024	1	Coupling Raccord Racor Prolunga
109	20.000.025	4	Blind nut Écrou avengle Tuerca Dado cieco
110	20.000.019	1	Elbow coupling Raccord à coude Empalme de codo Raccordo a gomito
111	90.000.018	1	Complete gasoil copper pipe Tuyau gasoil en cuivre compl. Tubo del gas oil de cobre compl. Tubo gasolio in rame completo
112	20.000.020	1	Coupling Raccord Empalme Raccordo
113	90.000.017	2	Gasoil complete suction hose Tuyau aspiration gasoil compl. Tubo aspiración gas oil compl. Tubo aspirazione gasolio completo

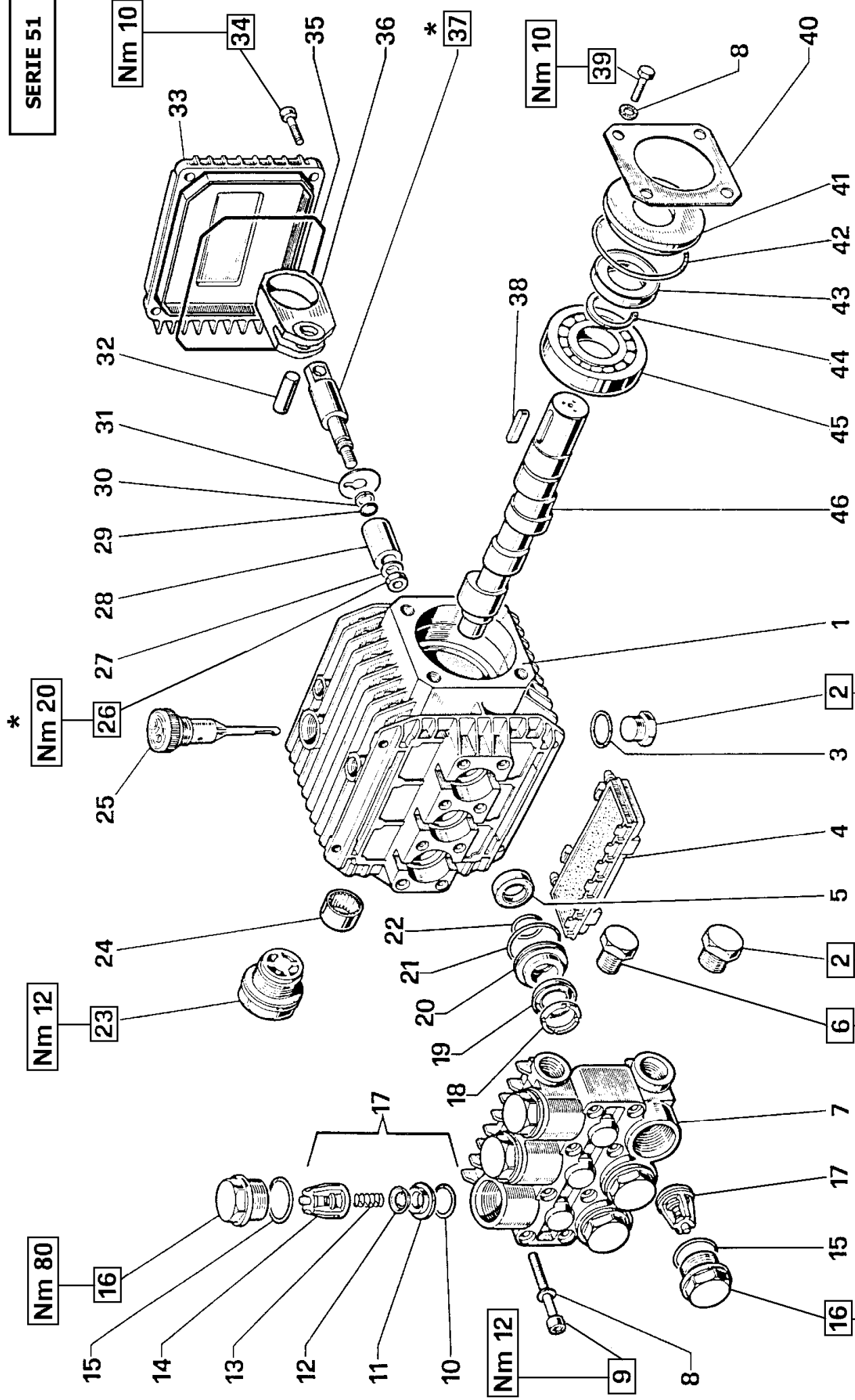
Pos.	Cod.	Q.ty	Descr.
114	90.000.016	1	Gasoil complete drain pipe Tuyau de drainage gasoil Tubo de desague del gas Tubo scarico gasolio completo
115	20.000.021	2	Washer Rondelle Arandela Rondella
116	20.000.022	2	Nut Écrou Tuerca Dado
117	50.000.026	1	Fan housing Cage de ventilateur caja del ventilador Coclea in alluminio
118	50.000.020	1	Fan Ventilateur Ventilador Ventola
119	50.000.021	1	Burner motor Motor brûleur Motor quemador Motorino bruciatore
120	50.000.022	1	Motor/pump coupling Joint pompe/moteur Acoplamiento bomba/motor Giunto pompa/motore
121	50.000.029	1	Gasoil pump Pompe gasoil Bomba del gas oil Pompa gasolio
122	50.000.024	2	Gasoil electrovalve Soupape électrique gasoil Eléctrovalvula gas oil Elettrovalvola gasolio
123	70.000.018	2	A.T.ignition wire Câble A.T. Cable A.T. Cavo elettrico A.T.
124	50.000.025	2	Protection Protection Proteccion Gommino protezione
125	70.000.019	1	A.T. starting transformer Transformateur d'allumage A.T. Transformador de encendido A.T. Trasformatore d'accensione A.T.
126	70.000.022	1	Gasoil level float Flotteur de niveau gasoil Flotador nivel gas oil Galleggiante livello gasolio

Pos.	Cod.	Q.ty	Descr.		
127	50.000.019	1	Gasoil filter Filtre gasoil Filtro del gas oil Filtro gasolio	*	
128			Pipe Tuyau Tubo Tubo	*	
129			Pipe Tuyau Tubo Tubo	*	
130			Hose Tuyau Tubo Tubo	*	
131	60.000.037		MOTORE MOTOR 2.2 KW 3 HP M90L 2800 RPM		




Pos.	Cod.	q.ty	Description	
1	80.000.014	1	Gun Pistolet Pistola Pistola	
2	80.000.015	1	Lance Lance Lanza Lancia	
3	80.000.000	1	Water nozze Buse eau Boquilla de agua Ugello acqua	
4	90.000.026	1	H.P. hose Tuyau H.P. Manguera A.P: Tubo A.P.	10 MT

SERIE 51



* Fissare con Loctite 542 col. ROSSO
 * Affix with Loctite 542 col. RED
 * Fixer avec de la Loctite 542 couleur ROUGE
 * Mit Loctite 542 ROT befestigen
 * Fijar con Loctite 542 col. ROJO
 * Fixar com Loctite 542 cor. VERMELHA

 W1507 – WW1508 – WW1509 – WW1510 – WW1511 – WW1512 – WW1513 – WW1514 WW1510 – WW1511 – WW1512 – WW1513 – WW1514 TT1508 – TT1509 – TT1510 – TT1511 – TT1512 – TT1513 – TT1514 TT1512 – TT1513 – TT1514 – TT1515 – TT1516
--

KIT Nr.	KIT 83	KIT 123	KIT 157	PISTONE - PISTON Ø15			PISTONE - PISTON Ø18		
				KIT 86	KIT 96	KIT 97	KIT 139	KIT 140	KIT 141
Posizioni include Positions included	5	10 - 11 12 - 13 14 (17)	15 - 16	20 - 21 22	18 - 19 20 - 21 22	18 - 19 21 - 22	20 - 21 22	18 - 19 20 - 21 22	18 - 19 21 - 22
Nr. Pcs.	3	6	6	3	1	3	3	1	3

W1507 – WW1508 – WW1509 WW1510 – WW1511 WW1512 – WW1513 TT1508 – TT1509 – TT1510 TT1511 – TT1512 – TT1513	PISTONE - PISTON Ø 15		PISTONE - PISTON Ø 18	

POS	COD.	DESCRIZIONE – DESCRIPTION - KIT	NR	POS	COD.	DESCRIZIONE – DESCRIPTION - KIT	NR
17	36.7115.01	Gruppo valvola aspiraz. / mand.	123	36	51.0301.22	Biella	3
18	51.1000.51 51.1001.51	Anello di testa Ø 15 Anello di testa Ø 18	96-97 140-141	37	51.0500.56	Guida pistone	3
19	90.2620.00 90.2681.00	Anello ten. alt. Ø 15x25x5/3.1 Anello ten. alt. Ø 18x26x5/3	96-97 140-141	38	91.4877.00	Linguetta 8x7x25 UNI 6604	1
20	51.0800.70 51.0803.70	Anello di fondo Ø 15 Anello di fondo Ø 18	86-96 139-140	39	99.1807.00	Vite M6x10 UNI 5937	4
21	90.3604.00	OR Ø 25.12x1.78 (2100) 139-140-141	86-96-97	40	50.1500.74	Coperchio carter	1
22	90.3835.00 90.3843.00	OR Ø 15.08x2.62 (119) OR Ø 17.86x2.62 (123)	86-96-97 139-140-141	41	50.2115.51	Distanziale	1
23	97.5968.00	Spia livello olio	1	42	90.4097.00	OR Ø 55.56x3.53 (159)	1
24	91.8014.00	Boccola a rullini	1	43	90.1634.00	Anello rad. Ø 25x42x7	1
25	98.2103.00	Tappo carico olio	1	44	90.0635.00	Anello seeger Ø 25	1
26	92.2216.00	Dado M8x13x5 – INOX	3	45	91.8328.00	Cuscinetto a sfere 6305	1
27	44.2115.70	Rosetta Ø 8 con collare	3				
28	51.0400.09 51.0401.09	Pistone Ø 15x25 Pistone Ø 18x25	3 3				
29	90.3573.00	OR Ø 5.28x1.78 (2021)	3				
30	90.5022.00	Anello antiest. Ø 6.2x9x1.5	3				
31	96.7070.00	Rosetta Ø 9x23x0.5	3				
32	97.7310.00	Spinotto Ø 8x24.5	3				
33	51.1600.22	Coperchio posteriore	1				
34	99.1867.00	Vite M6x18 UNI 5931	4				
35	90.3917.00	OR Ø 88.57x2.62 (3350)	1				

POS	COD.	DESCRIZIONE – DESCRIPTION - KIT	NR
1	51.0106.22	Carter pompa	1
2	98.2100.00	Tappo G 3/8"x13	2
3	90.3833.00	OR Ø 13.95x2.62 (3056)	1
4	51.2090.51	Protezione	1
5	90.1565.00	Anello rad. Ø 15x24x5	83
6	98.2041.00	Tappo G 1/4"x9	1
7	51.1200.41 51.1204.41	Testata Ø 15 Testata Ø 18	1 1
8	96.6938.00	Rondella Ø 6.4x10x0.7	8
9	99.1943.00	Vite M6x40 UNI 5931	8
10	90.3841.00	OR Ø 17.13x2.62 (3068)	123
11	36.2003.66	Sede valvola	123
12	36.2001.76	Valvola sferica	123
13	94.7376.00	Molla Ø 9.4x14.8	123
14	36.2025.51	Guida valvola	123
15	90.3847.00	OR Ø 20.24x2.62 (3081)	157
16	98.2216.00	Tappo M24x1.5x11.2	157